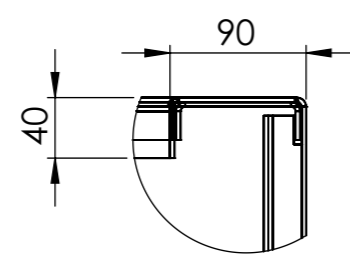
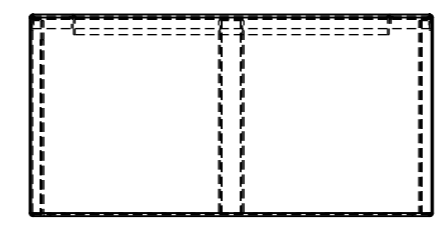
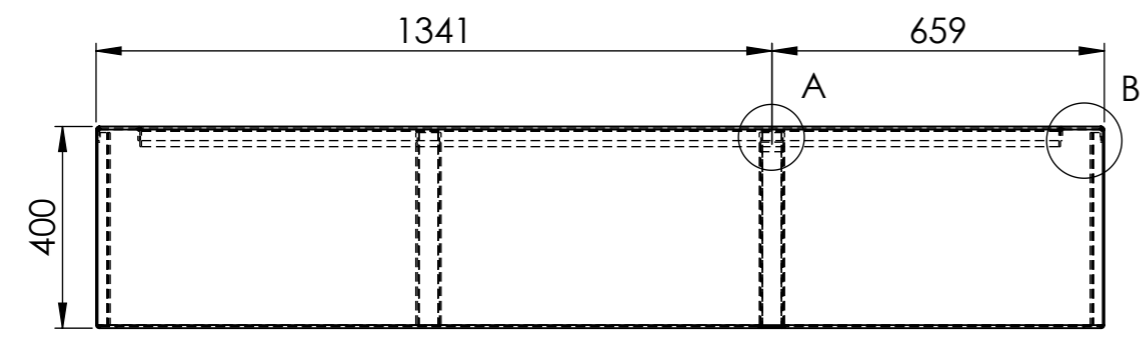
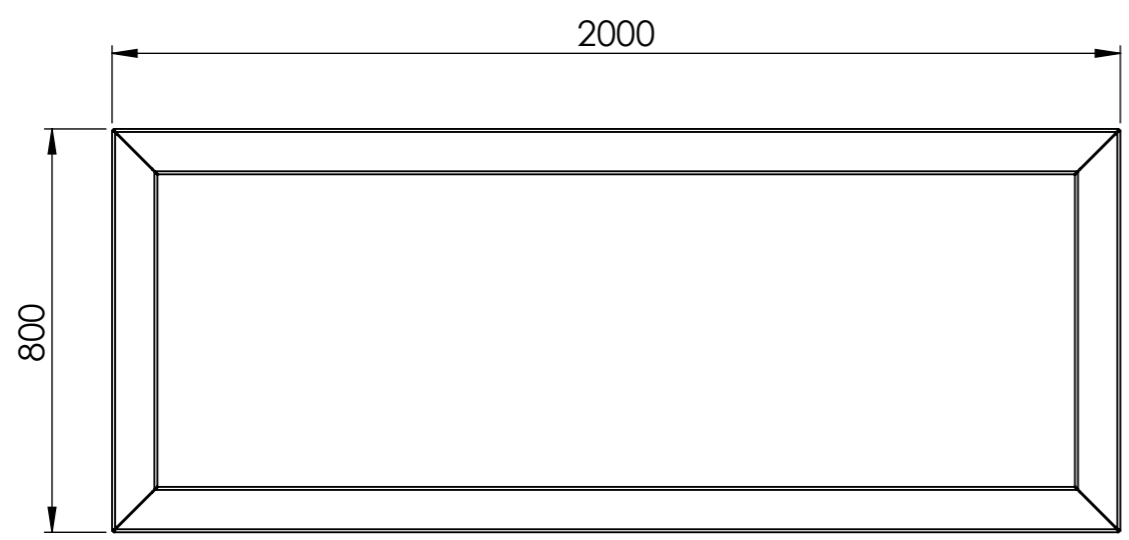
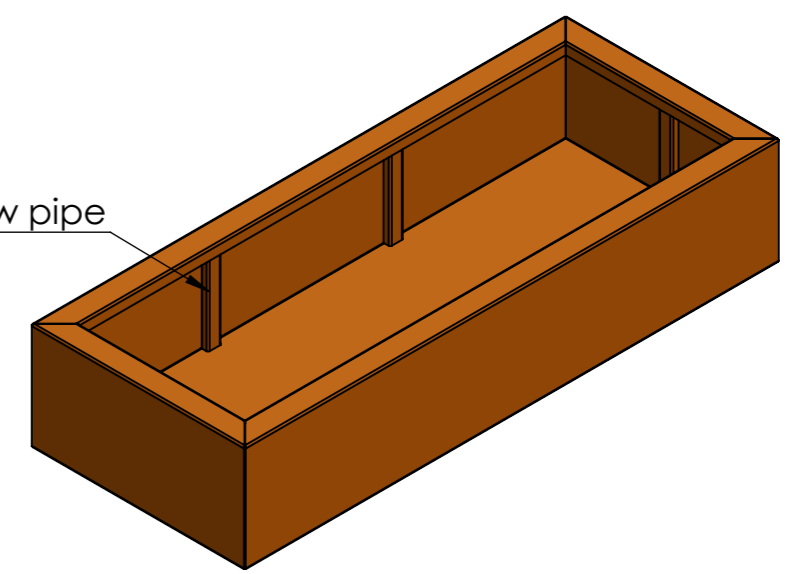


DETAIL A
SCALE 1 : 5

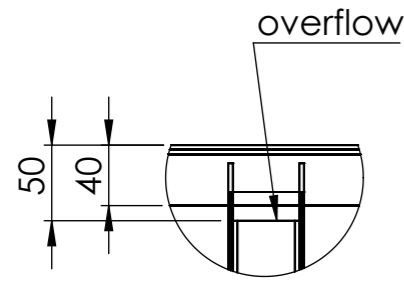


DETAIL B
SCALE 1 : 5

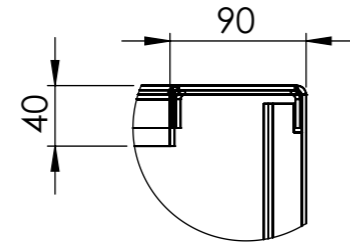
Overflow pipe



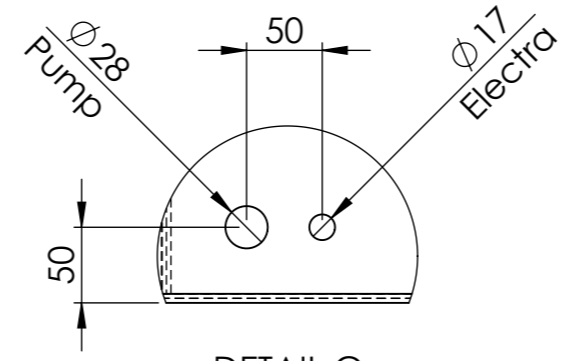
DRAWN	Luuk van den Heuvel	DATE	2-2-2020		TITLE:	3mm corten	
REVISION	Benny Dijkhuis	DATE	4-5-2021		Drawing:	VC9.1__	A3
		Liessentstraat 4, 5405 AG Uden (NL). † 0031 (0)413 - 27 41 68. e info@adezz.com, i www.adezz.com			Color:	-	Mass (kg): 127,65
		SCALE:1:15		SHEET 1 OF 13			



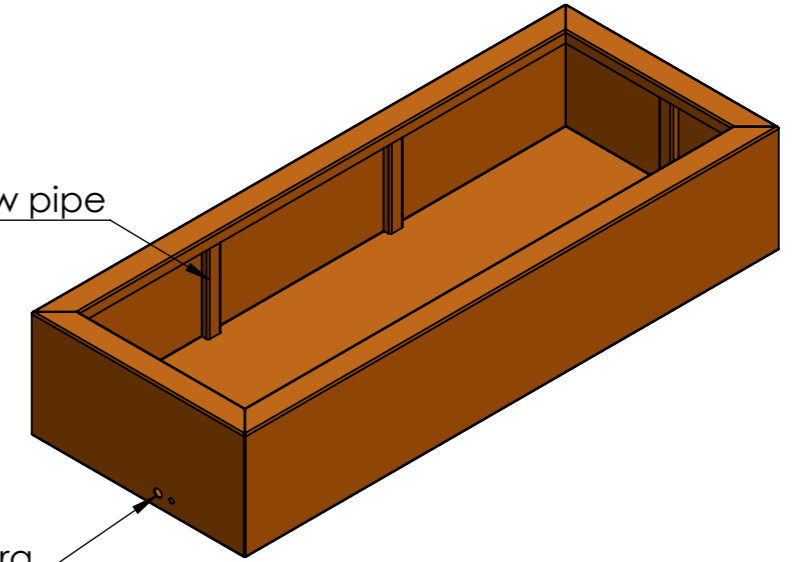
DETAIL A
SCALE 1 : 5



DETAIL B
SCALE 1 : 5

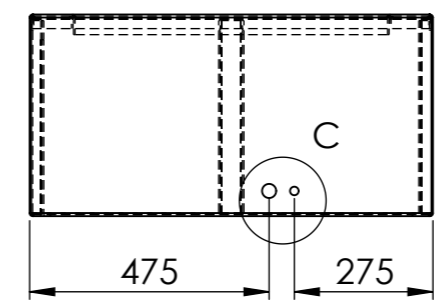
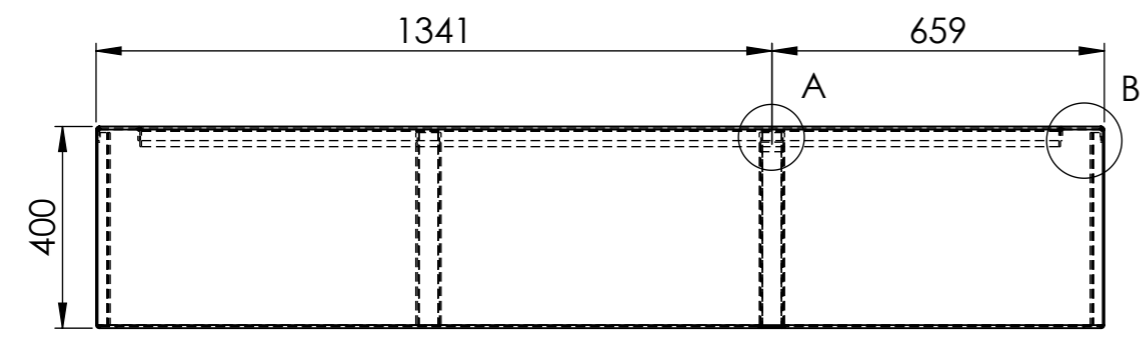
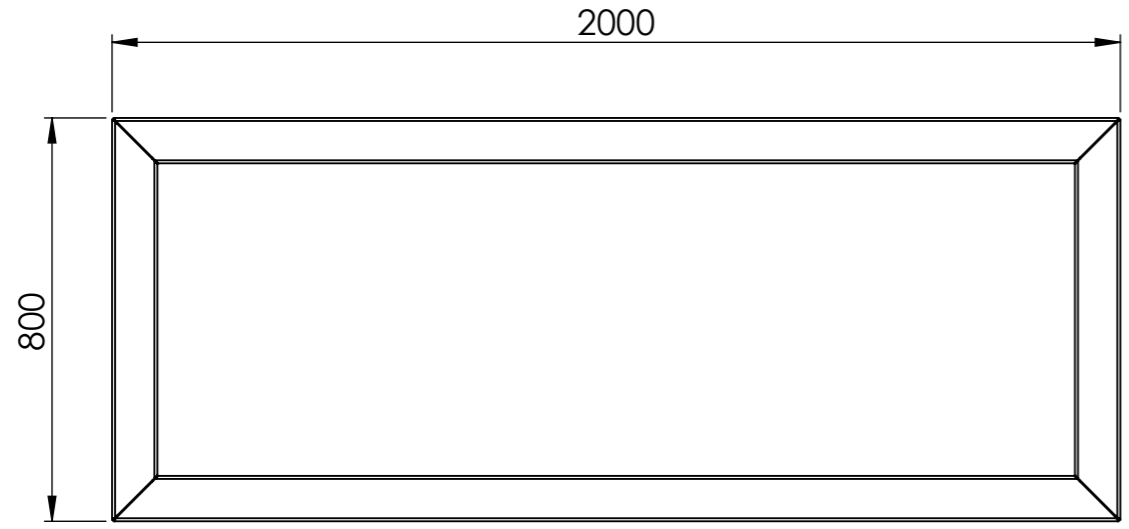


DETAIL C
SCALE 1 : 5



Overflow pipe

Pump and electra



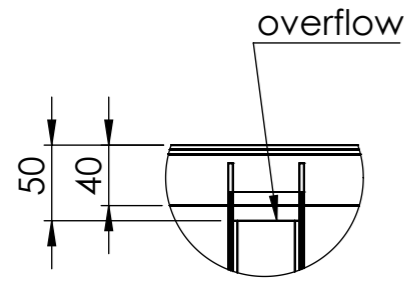
		DATE	
DRAWN	Luuk van den Heuvel	2-2-2020	
REVISION	Benny Dijkhuis	4-5-2021	

TITLE: 3mm corten

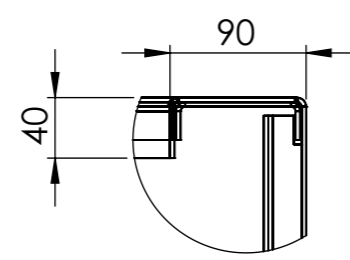
ADEZZ
DESIGN TO GROW

Liessentstraat 4, 5405 AG Uden (NL).
 † 0031 (0)413 - 27 41 68.
 e info@adezz.com, i www.adezz.com

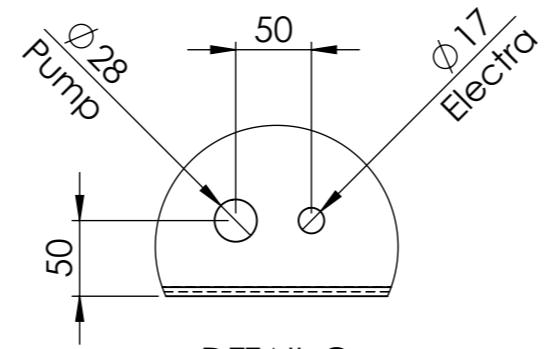
Drawing: VC9.1__ A3



DETAIL A
SCALE 1 : 5



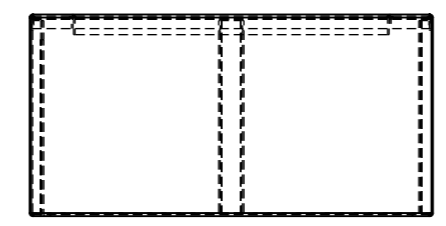
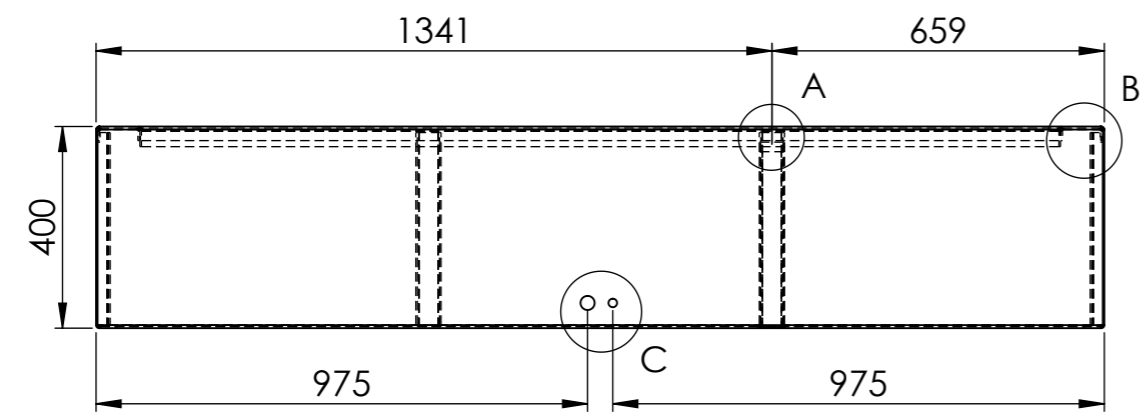
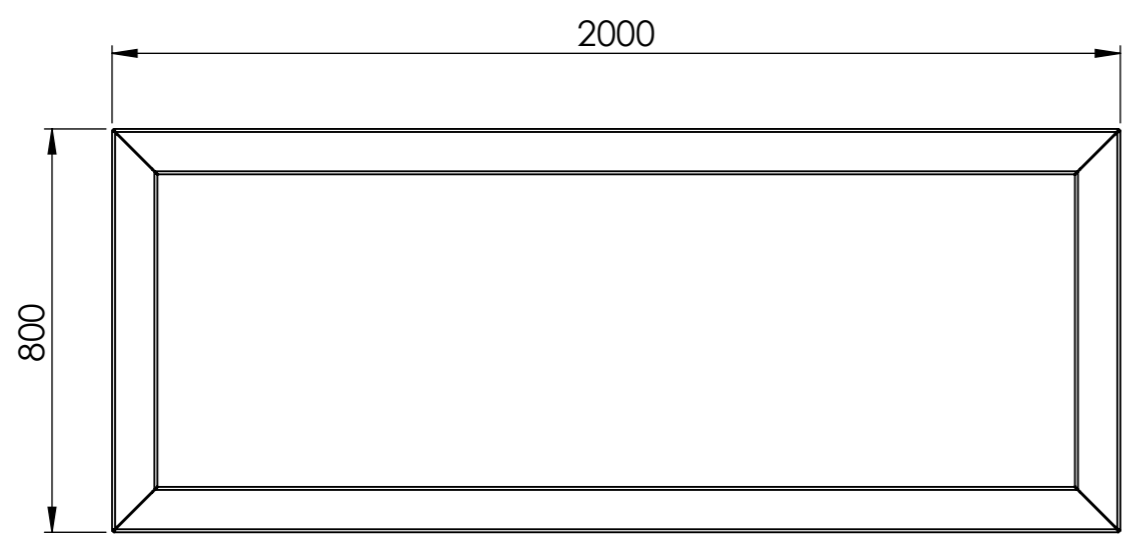
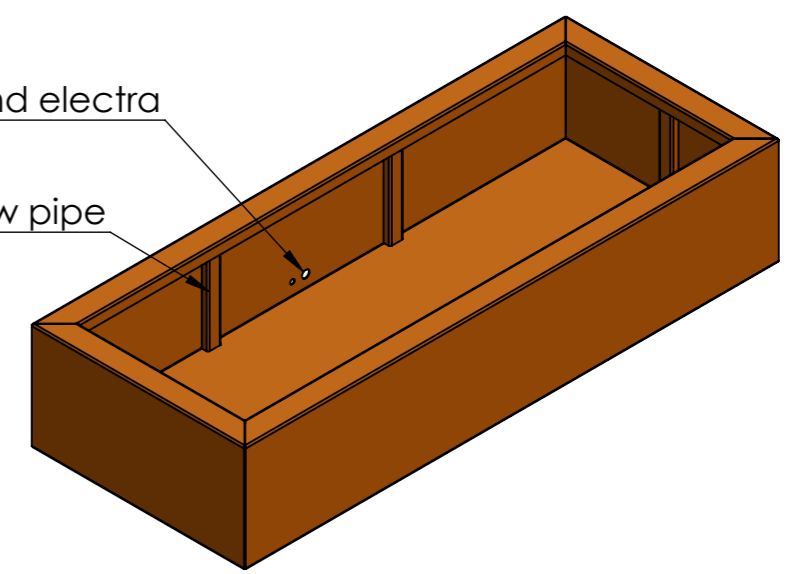
DETAIL B
SCALE 1 : 5



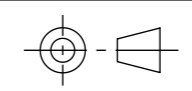
DETAIL C
SCALE 1 : 5

Pump and electra

Overflow pipe



DRAWN	Luuk van den Heuvel	DATE	2-2-2020
REVISION	Benny Dijkhuis	DATE	4-5-2021



TITLE:	3mm corten	
--------	------------	--

ADEZZ
DESIGN TO GROW

Liessentstraat 4, 5405 AG Uden (NL).
t 0031 (0)413 - 27 41 68.
e info@adezz.com, i www.adezz.com

Drawing:	VC9.1__	A3
----------	---------	----

Color:	-	Mass (kg):	127,63	SCALE:1:15	SHEET 1 OF 13
--------	---	------------	--------	------------	---------------